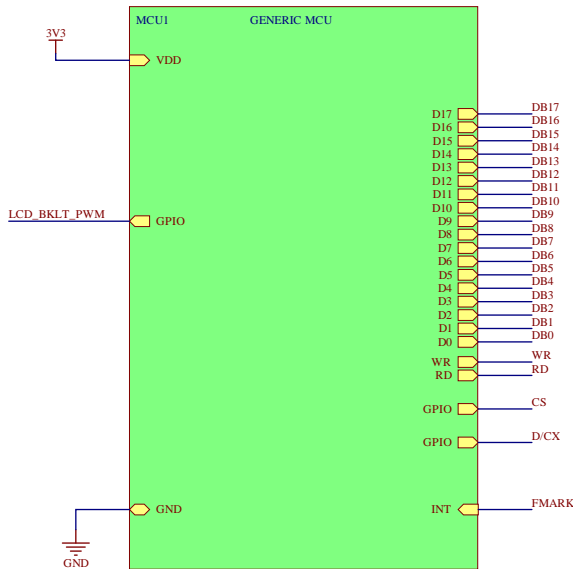
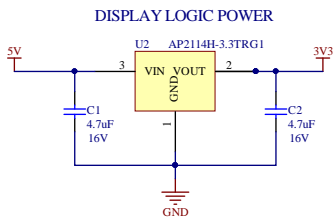


# DT022CTFT MCU Reference Design

(MCU PARALLEL 18-BIT IMAGE AND CONFIGURATION DATA)

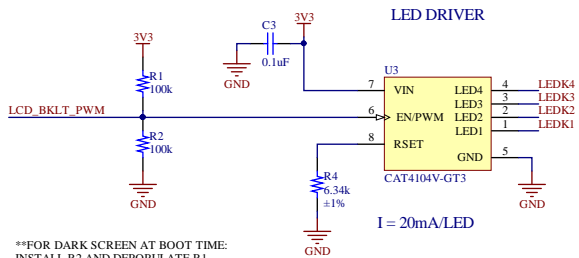
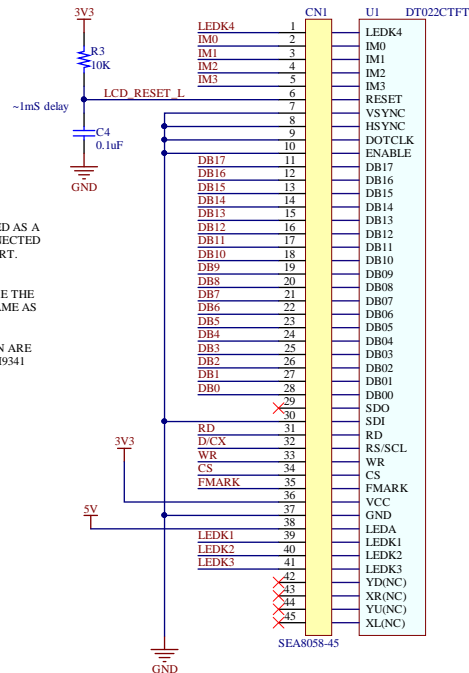


IN MCU MODE, THE DISPLAY IS MAPPED AS A PARALLEL MEMORY DEVICE OR CONNECTED TO A DEDICATED PARALLEL DATA PORT.

CONSULT THE DATA SHEET FOR THE PARTICULAR MCU CHOSEN TO ENSURE THE LCD DATA CONNECTIONS ARE THE SAME AS THIS EXAMPLE.

RGB 16-BIT AND 8-BIT RGB OPERATION ARE ALSO POSSIBLE. SEE THE MCU AND ILI9341 DRIVER DATA SHEETS FOR PROPER CONNECTIONS.

FMARK SIGNAL INDICATES THE BEGINNING OF A NEW IMAGE FRAME. IT CAN BE USED TO AVOID IMAGE TEARING.




\*\*FOR DARK SCREEN AT BOOT TIME:  
INSTALL R2 AND DEPOPULATE R1.  
\*\*FOR NORMAL SCREEN AT BOOT TIME:  
INSTALL R1 AND DEPOPULATE R2.

DT022CTFT Interface Mode Settings (MCU)					
IM3	IM2	IM1	IM0	Interface Mode	Pins
0	0	0	0	8-bit parallel bus	D[7:0] + WR + RD + D/CX
0	0	0	1	16-bit parallel bus	D[15:0] + WR + RD + D/CX
0	0	1	0	9-bit parallel bus	D[8:0] + WR + RD + D/CX
0	0	1	1	18-bit parallel bus	D[17:0] + WR + RD + D/CX

LOGIC 1 = VDD (3.3V)  
LOGIC 0 = GND

CHIP SELECT (CS) SIGNAL IS USED TO SELECT DISPLAY IF DATA BUS IS SHARED WITH OTHER DISPLAYS OR MEMORY DEVICES.

Project: DT022CTFT Reference Design			 a seacompany		
Title: DT022CTFT MCU Reference Design					
Size: A3	Doc Number: 1	Revision: REVA1	Drawn By: RCG	SEACOMP Displaytech 2546 Gateway Road Carlsbad, CA 92009 USA	
Date: 2/7/2020	Time: 6:06:22 PM	Sheet: 1 of 1	Approved:		
File: DT022CTFT_MCU_SchDoc			Date:		