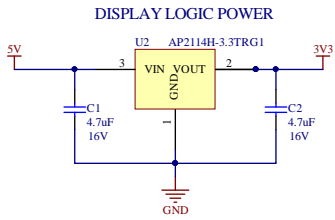
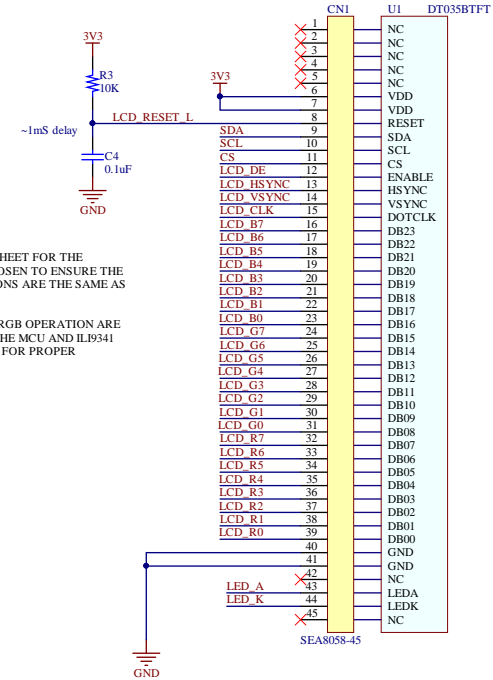
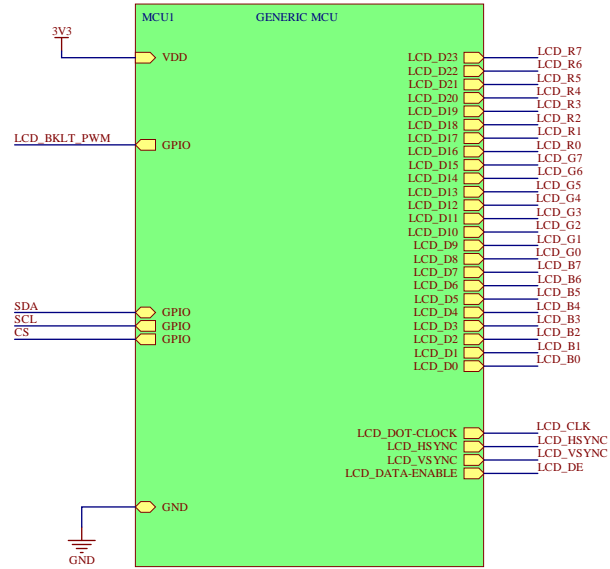


DT035BTFT RGB Reference Design

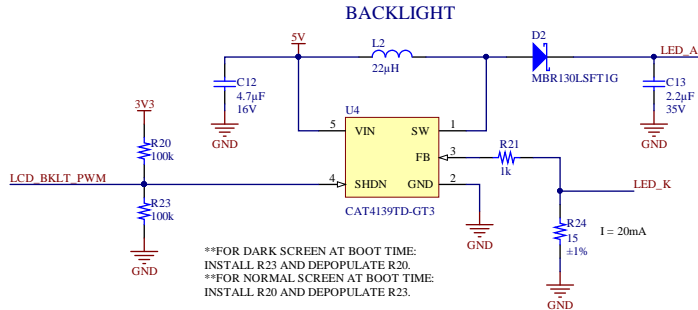
(RGB 24-BIT WITH SERIAL DATA CONFIGURATION)



THESE SERIAL DATA SIGNALS ARE NOT FULLY COMPATIBLE WITH STANDARD SPI DATA PROTOCOLS. CUSTOM DRIVERS ARE NEEDED TO USE SPI HARDWARE PORTS.
A BIT-BANGED IMPLEMENTATION IS AVAILABLE IN THE SAMPLE DRIVER CODE.




CONSULT THE DATA SHEET FOR THE PARTICULAR MCU CHOSEN TO ENSURE THE LCD DATA CONNECTIONS ARE THE SAME AS THIS EXAMPLE.
RGB 16-BIT AND 8-BIT RGB OPERATION ARE ALSO POSSIBLE. SEE THE MCU AND ILI9341 DRIVER DATA SHEETS FOR PROPER CONNECTIONS.



**FOR DARK SCREEN AT BOOT TIME: INSTALL R23 AND DEPOPULATE R20.
**FOR NORMAL SCREEN AT BOOT TIME: INSTALL R20 AND DEPOPULATE R23.

SERIAL CONFIGURATION DATA IS 3-WIRE WITH 6 BITS OF ADDRESS FOLLOWED BY A READ/WRITE BIT, THEN 8 BITS OF DATA. SEE NV3035C DISPLAY DRIVER FOR DETAILS.

CHIP SELECT (CS) SIGNAL IS USED TO INITIATE A DATA TRANSFER SEQUENCE.

Project: DT035BTFT Reference Design			 a seacompany company	
Title: DT035BTFT RGB Reference Design				
Size: A3	Doc Number: 1	Revision: REVA1	Drawn By: RCG	
Date: 2/7/2020	Time: 4:10:55 PM	Sheet: 1 of 1	Approved:	
File: DT035BTFT_RGB.SchDoc			Date:	
			SEACOMP Displaytech 2546 Gateway Road Carlsbad, CA 92009 USA	