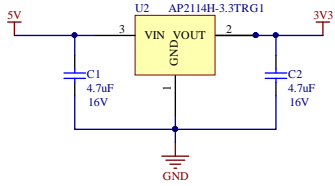


DT035BTFT-TS RGB Reference Design

(RGB 24-BIT WITH SERIAL DATA CONFIGURATION)

DISPLAY LOGIC POWER



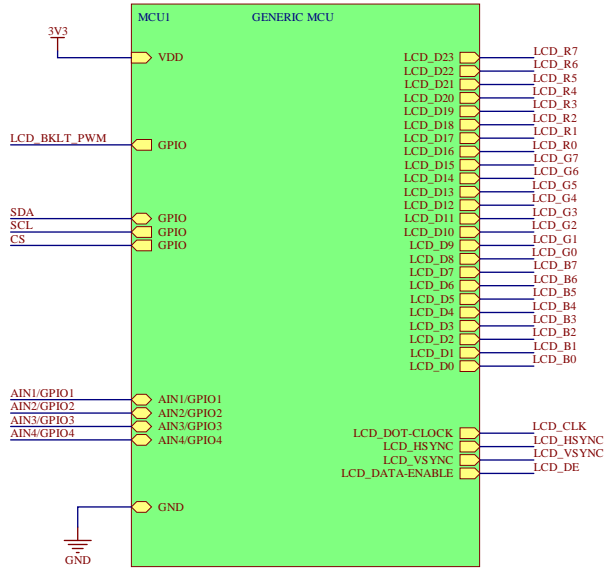
THESE SERIAL DATA SIGNALS ARE NOT FULLY COMPATIBLE WITH STANDARD SPI DATA PROTOCOLS. CUSTOM DRIVERS ARE NEEDED TO USE SPI HARDWARE PORTS.

A BIT-BANGED IMPLEMENTATION IS AVAILABLE IN THE SAMPLE DRIVER CODE.

FOR RESISTIVE TOUCH, USE GPIO PINS THAT HAVE ANALOG INPUT CAPABILITY.

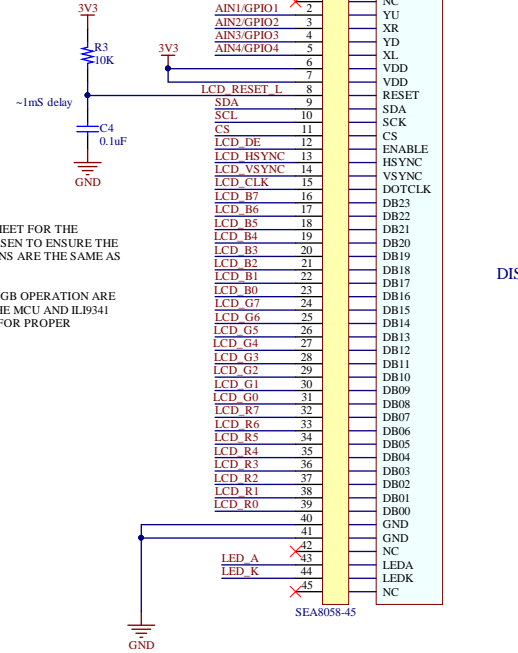
TO READ X POSITION, DRIVE Y-AXIS WITH LOGIC HIGH AND LOW SIGNALS. READ X POSITION FROM EITHER X-AXIS ANALOG INPUT.

REVERSE X AND Y SIGNAL FUNCTIONS TO READ Y POSITION.

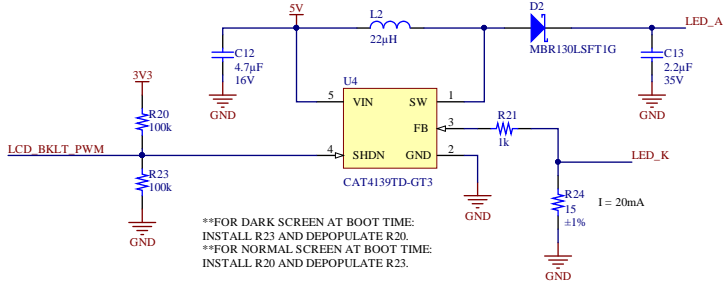


CONSULT THE DATA SHEET FOR THE PARTICULAR MCU CHOSEN TO ENSURE THE LCD DATA CONNECTIONS ARE THE SAME AS THIS EXAMPLE.

RGB 16-BIT AND 8-BIT RGB OPERATION ARE ALSO POSSIBLE. SEE THE MCU AND IL9341 DRIVER DATA SHEETS FOR PROPER CONNECTIONS.




BACKLIGHT



**FOR DARK SCREEN AT BOOT TIME: INSTALL R23 AND DEPOPULATE R20.
**FOR NORMAL SCREEN AT BOOT TIME: INSTALL R20 AND DEPOPULATE R23.

SERIAL CONFIGURATION DATA IS 3-WIRE WITH 6 BITS OF ADDRESS FOLLOWED BY A READ/WRITE BIT, THEN 8 BITS OF DATA. SEE NV3035C DISPLAY DRIVER FOR DETAILS.

CHIP SELECT (CS) SIGNAL IS USED TO INITIATE A DATA TRANSFER SEQUENCE.

Project: DT035BTFT Reference Design			 a SEACOMP COMPANY	
Title: DT035BTFT-TS RGB Reference Design				
Size: A3	Doc Number: 1	Revision: REVA1	Drawn By: RCG	
Date: 2/7/2020	Time: 4:10:56 PM	Sheet: 1 of 1	Approved:	
File: DT035BTFT-TS_RGB_SchDoc			Date:	

SEACOMP Displaytech
2546 Gateway Road
Carlsbad, CA 92009 USA