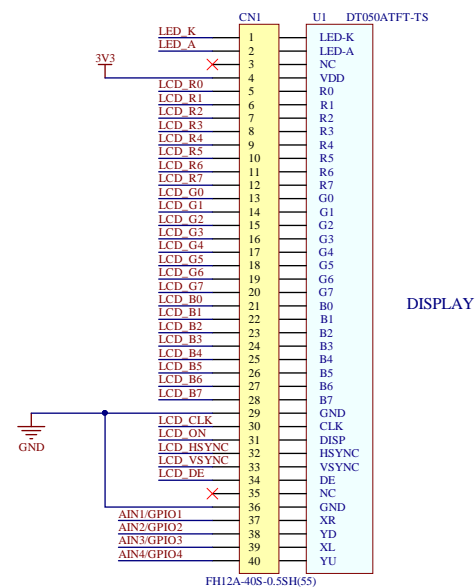
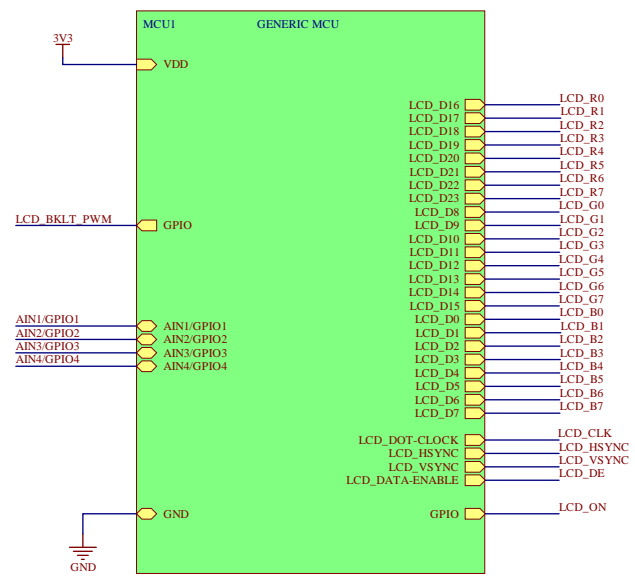


DT050ATFT-TS Reference Design

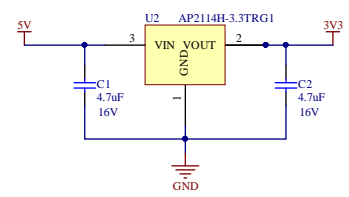
FOR RESISTIVE TOUCH, USE GPIO PINS THAT HAVE ANALOG INPUT CAPABILITY.

TO READ X POSITION, DRIVE Y-AXIS WITH LOGIC HIGH AND LOW SIGNALS. READ X POSITION FROM EITHER X-AXIS ANALOG INPUT.

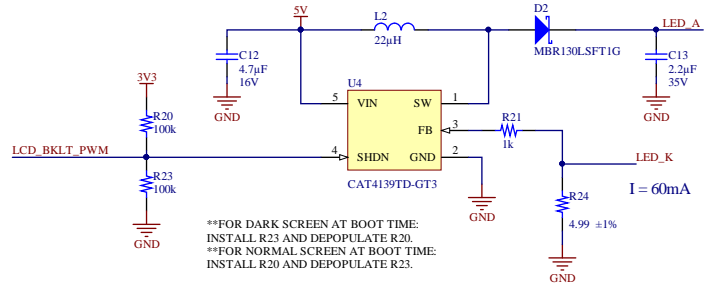
REVERSE X AND Y SIGNAL FUNCTIONS TO READ Y POSITION.



DISPLAY LOGIC POWER




BACKLIGHT



**FOR DARK SCREEN AT BOOT TIME: INSTALL R23 AND DEPOPULATE R20.

**FOR NORMAL SCREEN AT BOOT TIME: INSTALL R20 AND DEPOPULATE R23.

Project: DT050ATFT Reference Design			 a SEACOMP COMPANY	
Title: DT050ATFT-TS Reference Design				
Size: A3	Doc Number: 1	Revision: REVA1	Drawn By: RCG	
Date: 2/11/2020	Time: 9:45:14 AM	Sheet: 1 of 1	Approved:	
File: DT050ATFT-TS.SchDoc			Date:	
			SEACOMP Displaytech 2546 Gateway Road Carlsbad, CA 92009 USA	